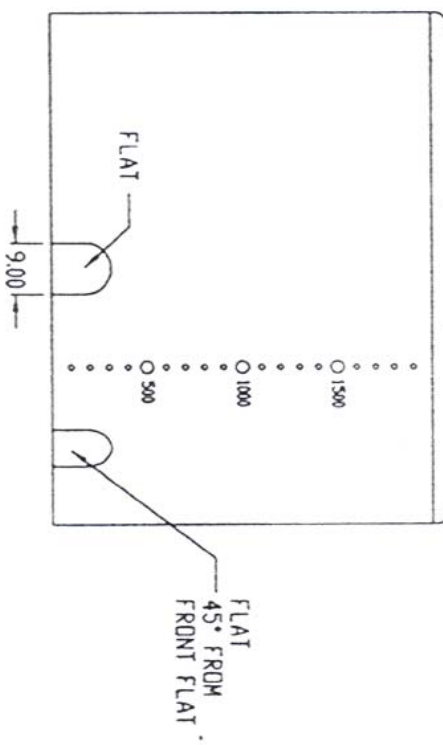
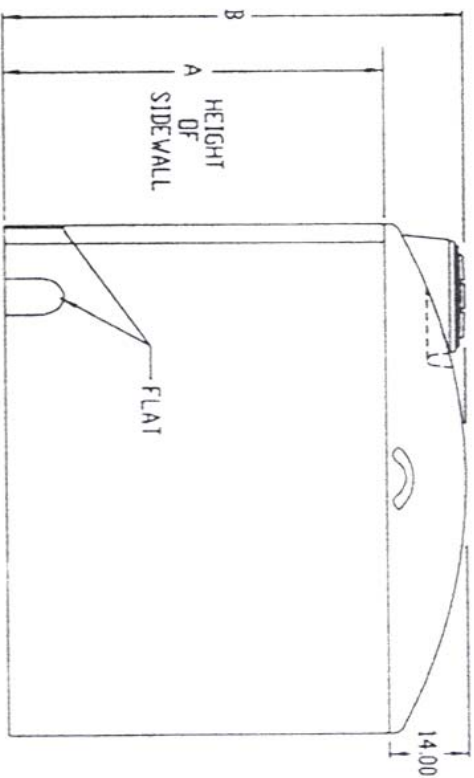
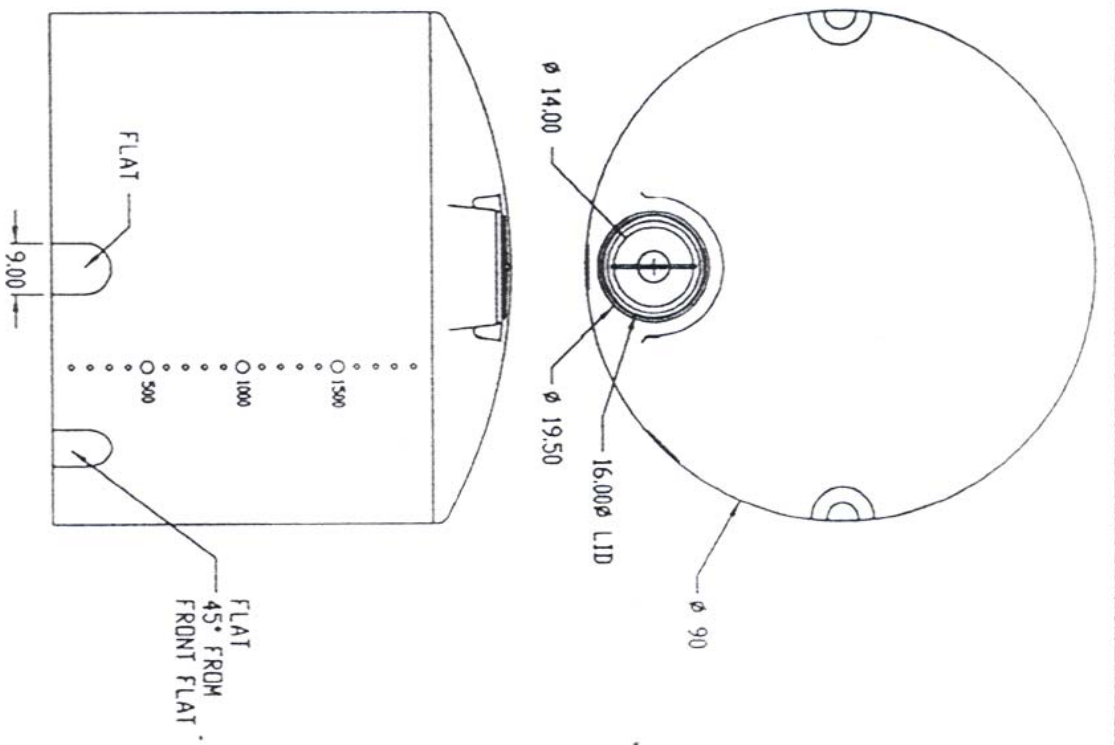


TANK SIZE	DIMENSION A	DIMENSION B
2000 GAL.	67.00	81.00
2500 GAL.	86.00	100.00
3000 GAL.	104.00	118.00



NOTE: 2000 GALLON TANK SHOWN

CHEM-TAINER

INDUSTRIES INC.

361 NEPTUNE AVE.
 (511) 661-8300 W. BARTON N.Y. 11704
 FAX: (511) 661 8208

3000 GALLON VERTICAL TANK

REV.	DATE	WELD LOCATION
	05/02/2005	
DRAWN BY: A.R.		CUST. REP.
APPROVED:		

PART # TA3000IC/1A

THIS DRAWING & DESIGN IS THE PROPERTY OF CHEM-TAINER INDUSTRIES INC. IT MAY NOT BE USED FOR ANY PURPOSE OTHER THAN BY THE OWNER. CHEM-TAINER DOES NOT AUTHORIZE THE REPRODUCTION OR CONVEYANCE OF ANY INFORMATION CONTAINED THEREIN.

ALL DIMENSIONS SHOWN ARE OUTSIDE PART DIMENSIONS IN INCHES, AND VARY BY THE STANDARD ROTATIONAL WELDING TOLERANCE OF ±.2X