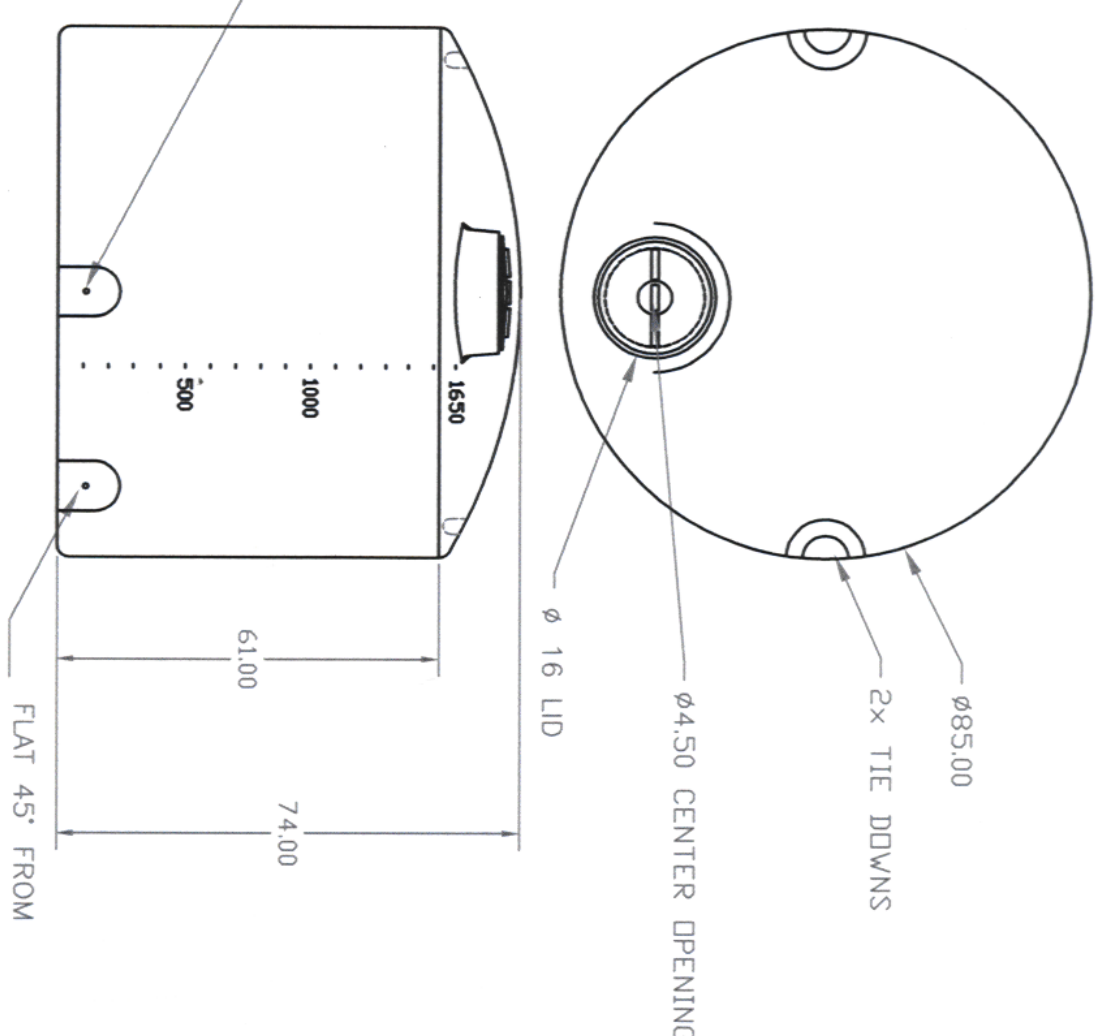


8 X 10 FLAT
FOR FITTING
2 INCH
STANDARD



THIS DRAWING & DESIGN IS THE PROPERTY OF CHEM-TAINER INDUSTRIES INC. IT MAY NOT BE USED FOR ANY PURPOSE OTHER THAN BY THE OWNER. CHEM-TAINER DOES NOT AUTHORIZE THE REPRODUCTION OR CONVEYANCE OF ANY INFORMATION CONTAINED THEREIN.

ALL DIMENSIONS SHOWN ARE OUTSIDE PART DIMENSIONS IN INCHES, AND VARY BY THE STANDARD ROTATIONAL MOLDING TOLERANCE OF ±2%

CHEM-TAINER

INDUSTRIES INC.
361 NEPTUNE AVE
(631) 661-8300
W. BARTON N.Y. 11704
FAX: (631) 661 8209

TITLE:
1650 GALLON VERTICAL TANK

| REV. | DATE |
|------|------|
| | |

| DATE | W/O LOCATION |
|----------------|--------------|
| 05/02/2005 | |
| DRAWN BY: A.R. | CUST. REP. |
| APPROVED: | |

PART #
TA85741C/1A